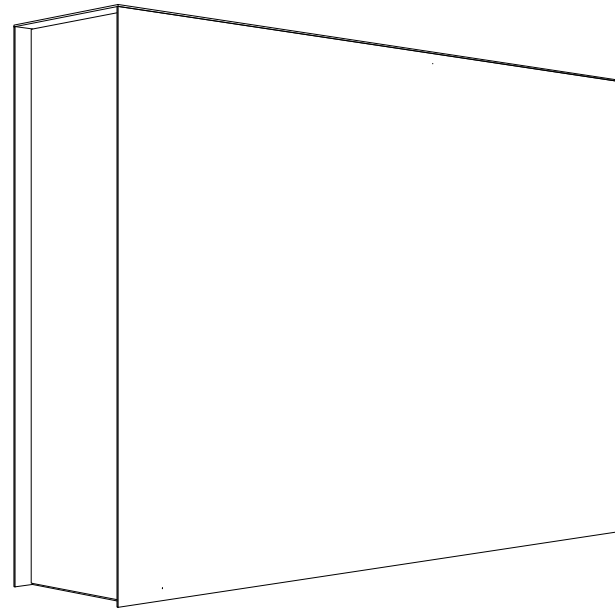
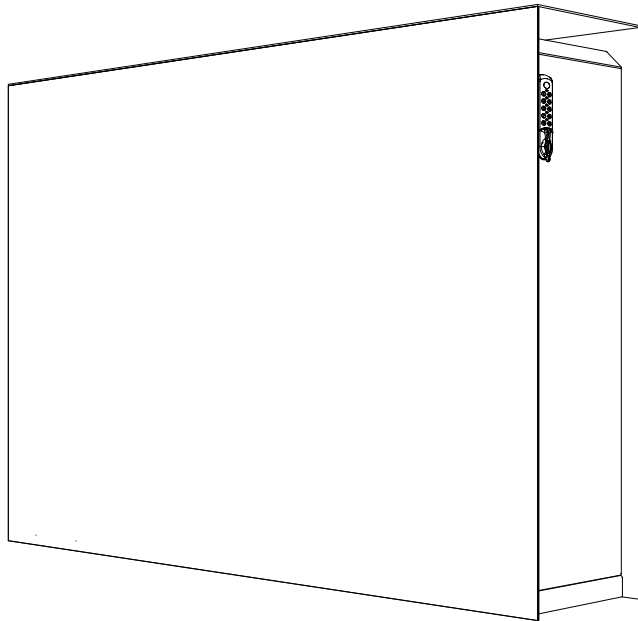
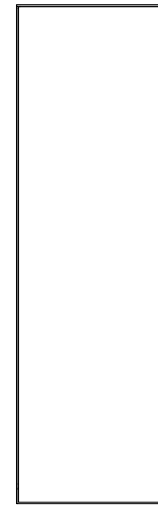
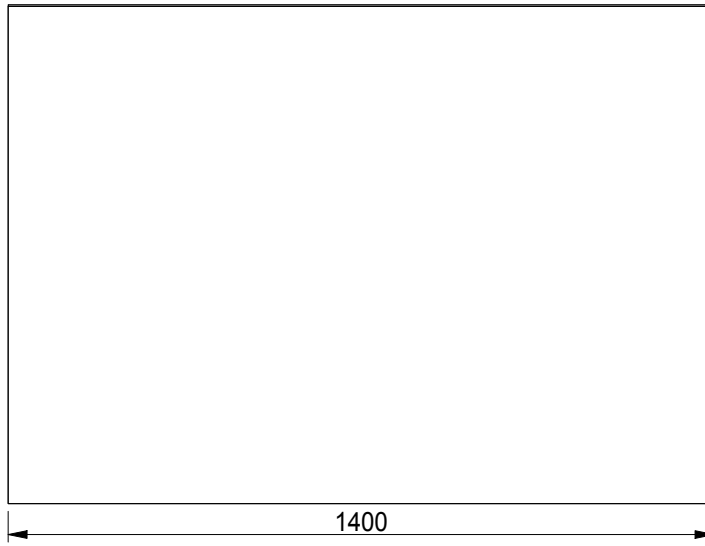
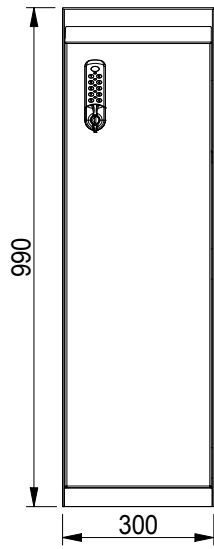
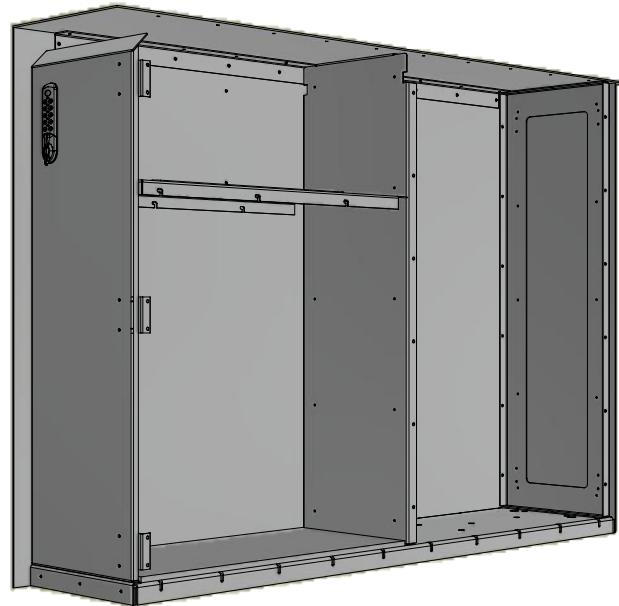
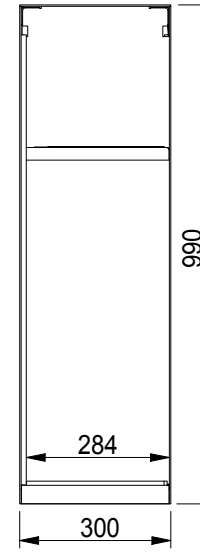
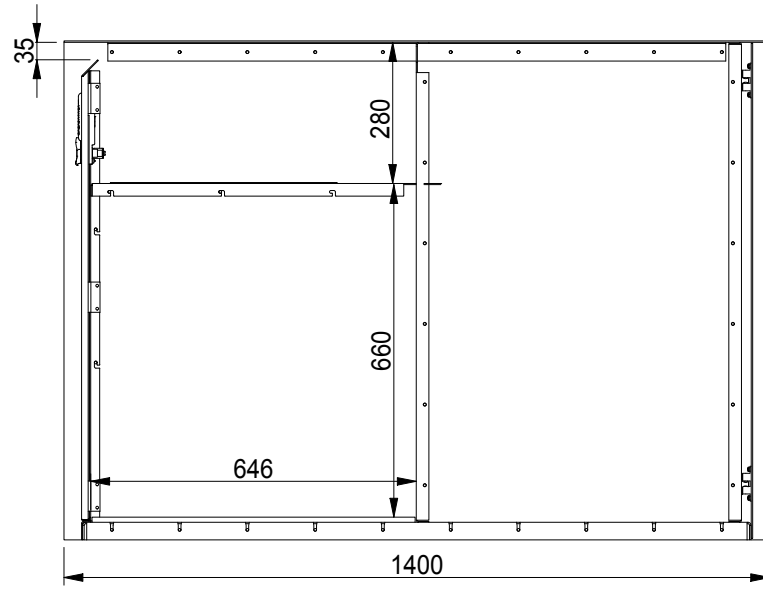


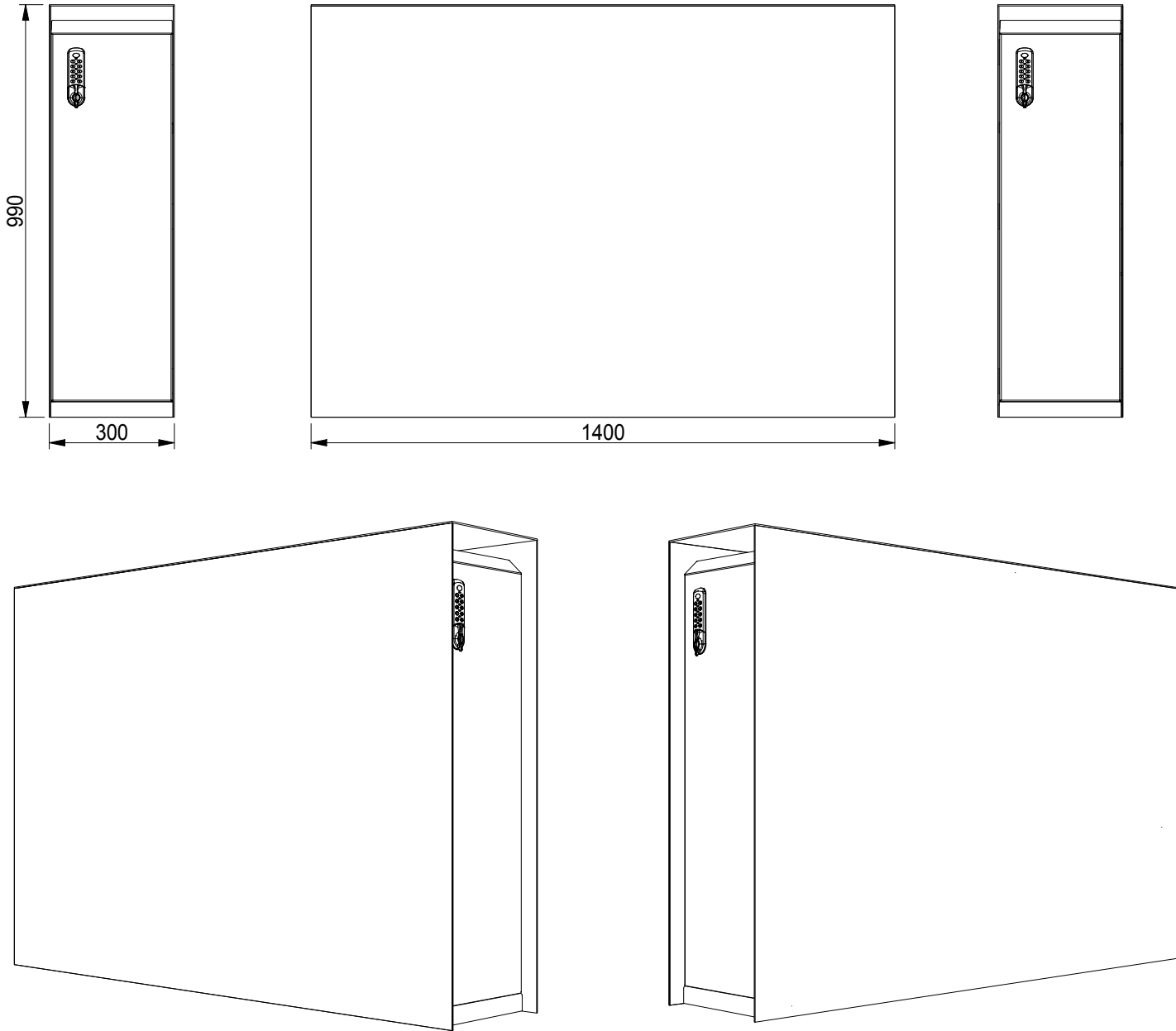
SINGLE + DCL



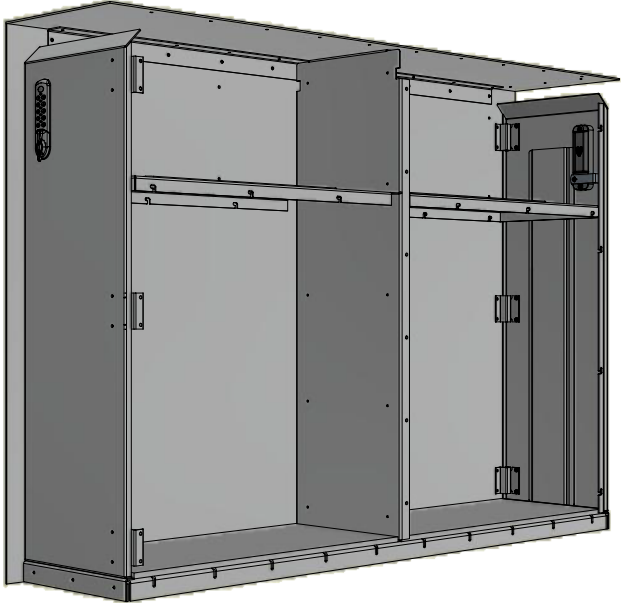
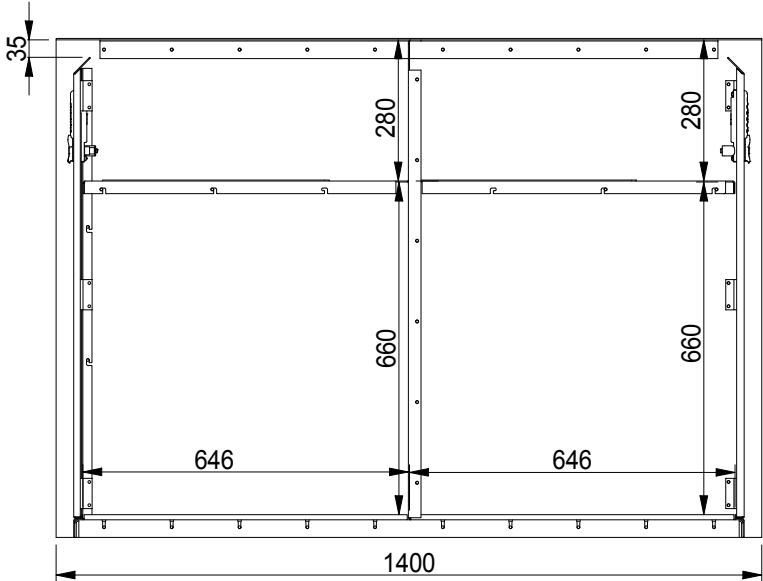
SINGLE + DCL



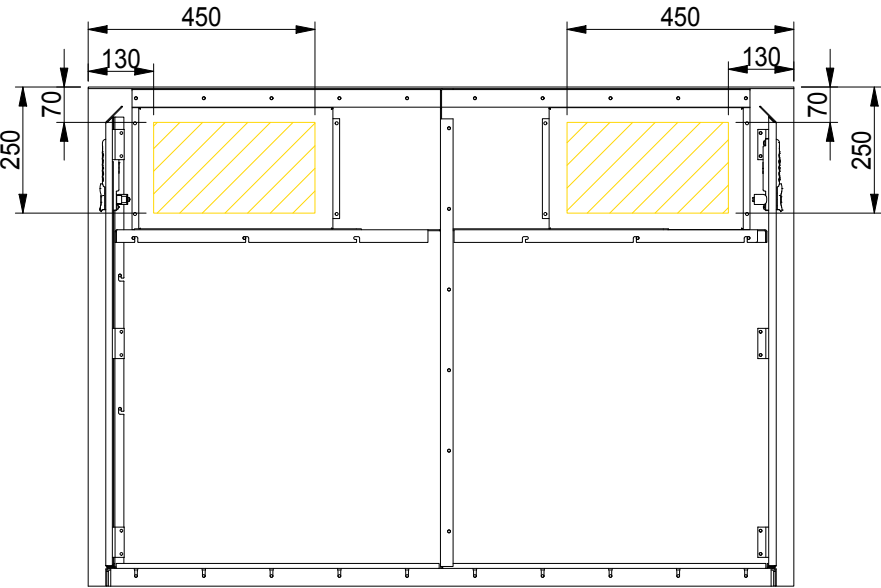
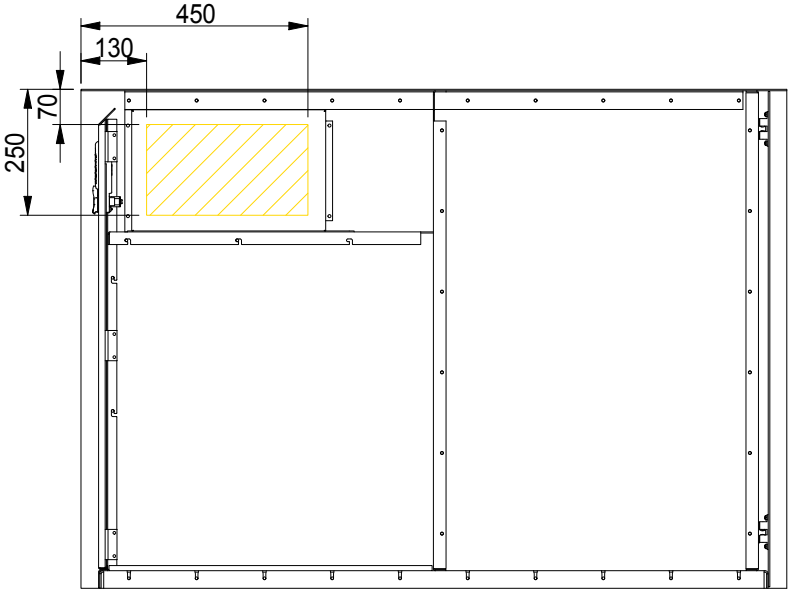
DOUBLE + DCL



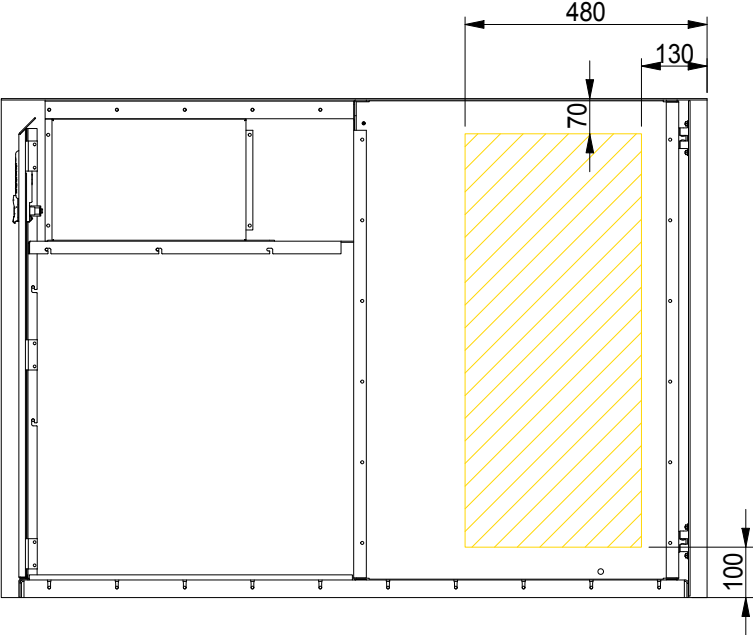
DOUBLE + DCL



OPTION LED NUMBER
max dimensions for lasercutting number



OPTION LED LOGO
max dimensions for lasercutting logo



Voltage range LED	180 ~ 264 VAC
Spanningsbereik LED	254 ~ 370 VDC
Plage de tension LED	
Spannungsbereich LED	